



Melting Point M-565

Automated and reliable measurements

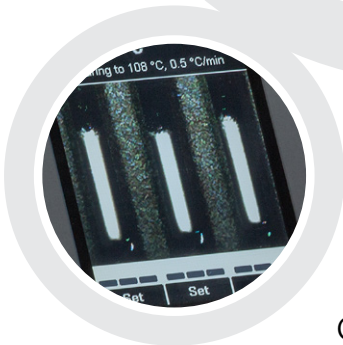
The Melting Point M-565 for the automatic determination of melting and boiling points is designed for true, professional quality control. It includes a color display to observe the phase transition, is equipped with a video camera and a video replay function which allows reviewing the melting and boiling point determination.



Accurate
Fail-safe calibration



Flexible
Designed for melting point, boiling point and slip melting point



Compliant
Suited for regulated environments



M-565: Your most important benefits



Accurate

- Fail-safe calibration with automated determination and storage of calibration results
- Automatic determination of melting and boiling points
- Highly accurate temperature regulation and measurement
- Optimized reproducibility with homogeneous packing of the capillary using the Sample Loader M-569



Flexible

- Control of almost any type of sample by measuring melting point, boiling point or slip melting point
- Double check of difficult samples by comparing manual and automated measurement
- Observation and replay of the phase transition using color display and video recording
- Optional PC software for easy management of methods and results



Compliant

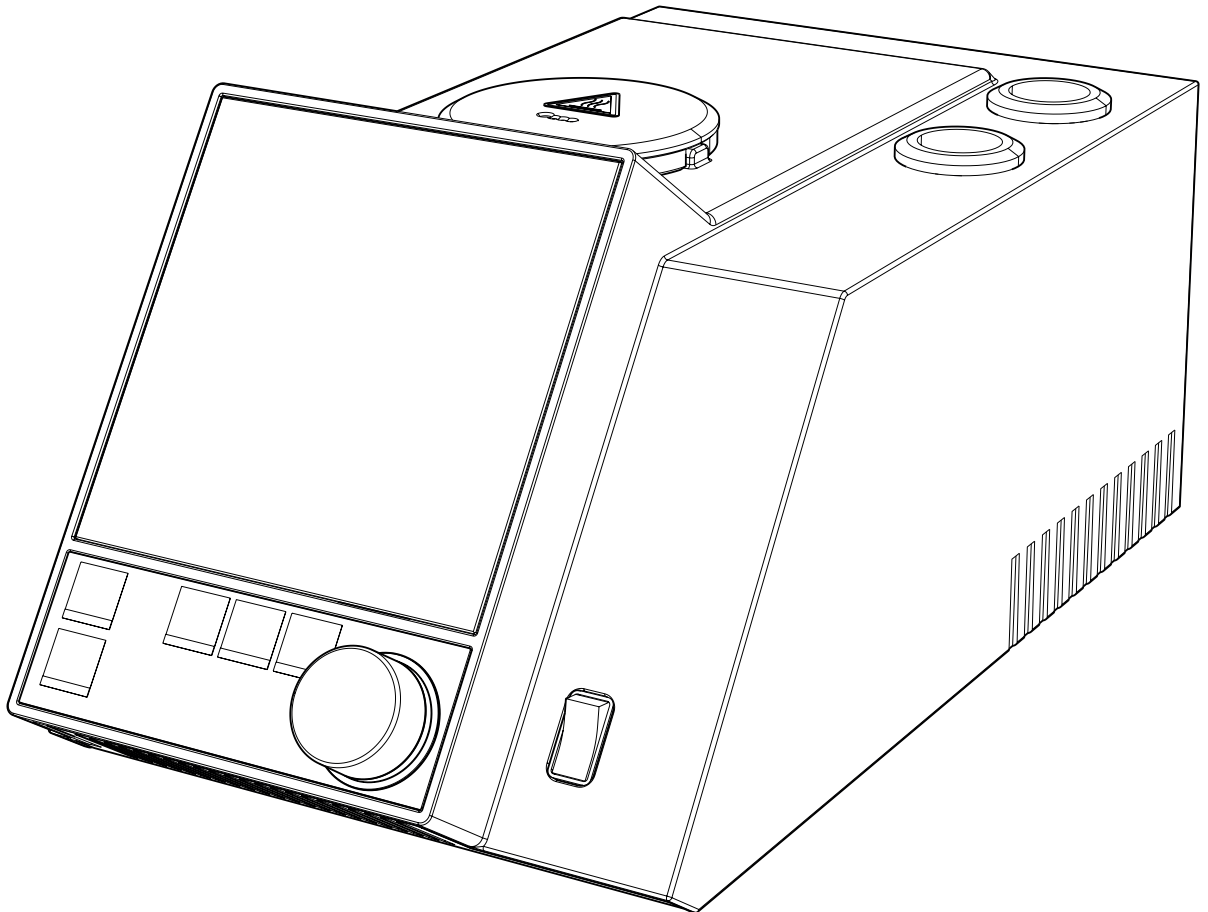
- Compliant with Pharmacopeia methods (European, USP, Japanese)
- Comprehensive IQ/OQ procedures including certified calibration and verification compounds for GLP/GMP laboratories



Melting Point M-565

Technical data sheet

The video camera equipped Melting Point M-565 for the automatic determination of melting and boiling points is designed for true, professional quality control. It includes a color display to observe the phase transition and a video function which allows for review of the determination. The Sample Loader M-569 allows a homogenous packing of capillaries providing highly reproducible results.



Scope of delivery

Components	M-565	M-565 + M-569
Calibration set M-565/M-565	1	1
Melting point tubes 100 pcs.	1	1
Boiling point tubes 10 pcs.	1	1
Boiling capillary 10 pcs.	1	1
Sample holder	1	1
Cleaning tool	1	1
CD Demo MeltingPoint Monitor	1	1
Protection cover	1	1
USB cable 2.0 m	1	1
Operation Manual	1	1
Sample loader M-569	-	1

Order Code

1 1 0 5 8 0 0 4

Melting Point M-565

0 5 1 9 9 8

Melting Point M-565 + Sample Loader M-569

Technical data

Melting Point M-565

Dimensions (W x D x H)	190 x 370 x 200 mm
Weight	4.5 kg
Positions for melting capillaries	3
Precision magnifying lens	1
Positions for boiling capillaries	1
Display	Color, TFT, 320 x 240, 3.5"
Magnification of lens	2.5 x
Temperature resolution	0.1 °C
Determination temperature range Ambient	+ 10 °C to 400 °C
Repeatability of melting point at 0.5 °C/min	± 0.1 °C
Accuracy of the oven temperature at 0.5 °C/min	± 0.2 °C
Temperature gradients	°C/min 0.1, 0.2, 0.5, 1, 1.5, 2, 2.5, 3, 5, 10, 20
Accuracy of boiling point at 1.0 °C/min	up to 400 °C ± 0.5 °C
Cool-down time (350 °C – 50 °C) at 25 °C	~ 13 min

Heat-up time (50 °C – 350 °C) at 25 °C	~ 4 min
Connection voltage	100 - 240 ± 10 % VAC
Power consumption	150 W
Frequency	50 / 60 Hz
Storable methods for boiling point	50
Storable methods for melting point	50
Compliant with Pharmacopeia methods	PH. EUR., USP and JP
Languages	en / de / fr / it / es / ja / cn

Sample Loader M-569

Dimensions (W x D x H)	86 x 130 x 70 mm
Weight	0.5 kg

Accessories

	Order no.
MeltingPoint Monitor software with license	11055332
Sample Loader M-569	051997
Verification Kit M-560/M-565	11055019
Calibration Kit M-560/M-565	11055018
Agate mortar and pestle	041867
Compact keyboard German (CH)	029509
Compact keyboard English (USA)	029508
Serial printer (SP712)	11069766
Ribbon for printer (SP512)	044306
Ribbon for printer (SP712)	11069767
Paper roll for printer	038684
Sample holder	11055014
Cleaning tool	051978
Melting point capillaries, 1000 units	001759
Melting point capillaries, 100 units	017808
Boiling point tubes, 10 pcs.	019697
Boiling point capillaries 10 pcs.	051850
Boiling point tubes, 100 pcs.	019007
Boiling point capillaries 100 pcs.	051890
IQ/OQ Complete English	11055004
OQ Repeating English	11055009
Accelerated OQ English	11593454
User management license	11066387

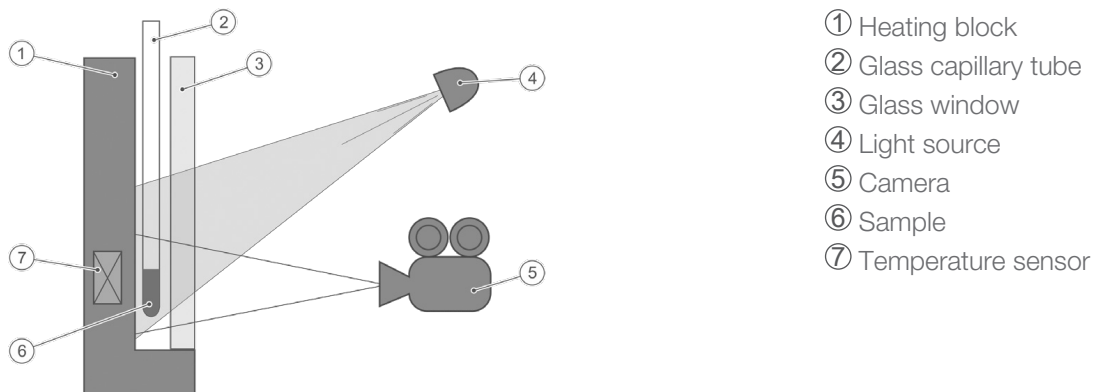
Description of function

The Melting Point M-565 is an instrument for automatic and visual (manual) determination of melting point, melting range, and boiling point at ambient temperatures +10 °C up to 400 °C. The melting point of three samples can be determined at the same time. The boiling point can be determined for one sample. Samples can be observed through the lens or on the color display.

Melting point

The melting point capillary sits in a hollow of a metal block, which is electrically heated and controlled by a temperature sensor. The heating block can be maintained accurately at a predefined temperature by the heating element and can be heated at a defined rate.

Detection is done as follows: The melting point capillary is illuminated from the front and the camera records the image. Melting and boiling points are detected by image processing.



Boiling point

The boiling point is determined by the "Siwoloboff" method. The Melting Point M-565 can be used to determine the boiling point of a small amount of liquid. The heating block has one insert available for boiling point tubes (outside left). The moment of boiling is determined automatically or visually.

Detection is done as follows:

- The beam of light illuminates the boiling point tube from the front, and the camera records the image.
- The boiling point of the liquid has been reached when the flow of steam bubbles reaches a frequency of 0.6 Hz [Hertz]

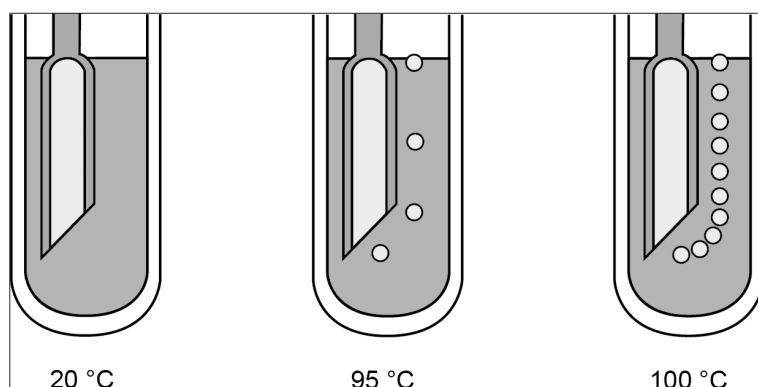


Fig. 1: Boiling point determination: Schematic presentation of three steps

MeltingPoint Monitor Software

The intuitive, user friendly management of methods, users and results in combination with the observation possibility of the melting or boiling movies, make the software essential for highly regulated routine work like in quality control. An observation of the melting curves and the melting video after the measurement localizes any failures in packing of the capillary, combustion of the substance or very impure substance and helps to reduce the number of repetitive measurements.

Scope of delivery

Melting Point Monitor Software	
USB cable 2.0 m	1
MeltingPoint Monitor Software CD	1
Single license	1

Languages

MeltingPoint Monitor Software	en / de / fr / it / es / ja / cn
-------------------------------	----------------------------------

System requirements

The system requirements for the computer are as follows:

Operating System	Windows 7 Professional / Ultimate / Enterprise (32 - bit , 64 - bit, SP1) Windows 8.1 Pro (64-bit), Windows 10 (64-bit)
Central Processing Unit	Dual Core 2.4 GHz or faster
RAM	2 GB or more
Display resolution	1280 x 1024 (minimum 1024 x 768)
Harddisk	> 15 GB of free harddisk space
Interface	USB 1.1 or higher
Others	CD-ROM drive



WolfLabs

Pricing on any accessories shown can be found by keying the part number into the search box on our website.

The specifications listed in this brochure are subject to change by the manufacturer and therefore cannot be guaranteed to be correct. If there are aspects of the specification that must be guaranteed, please provide these to our sales team so that details can be confirmed.

www.wolflabs.co.uk

Tel : 01759 301142

Fax : 01759 301143

sales@wolflabs.co.uk

Please contact us if this literature doesn't answer all your questions.